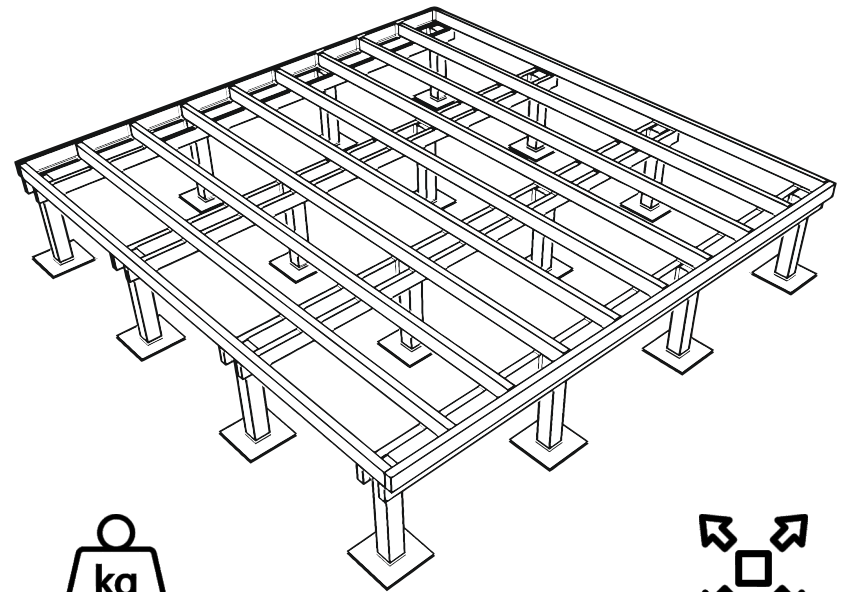
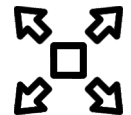


PLASTIC JOISTS & POSTS INSTALLATION



Load bearing
capacity
120 kg/joists

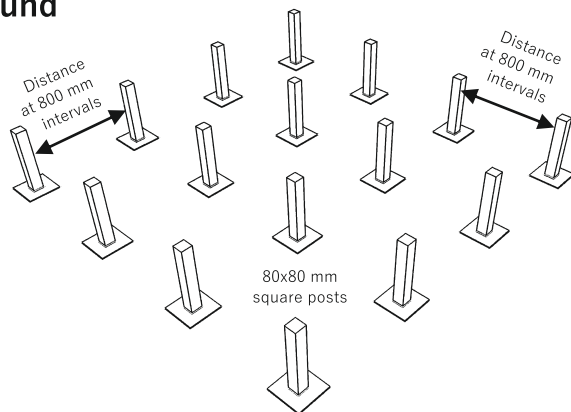


Expansion rate:
0–20 Celsius
+/- 4mm

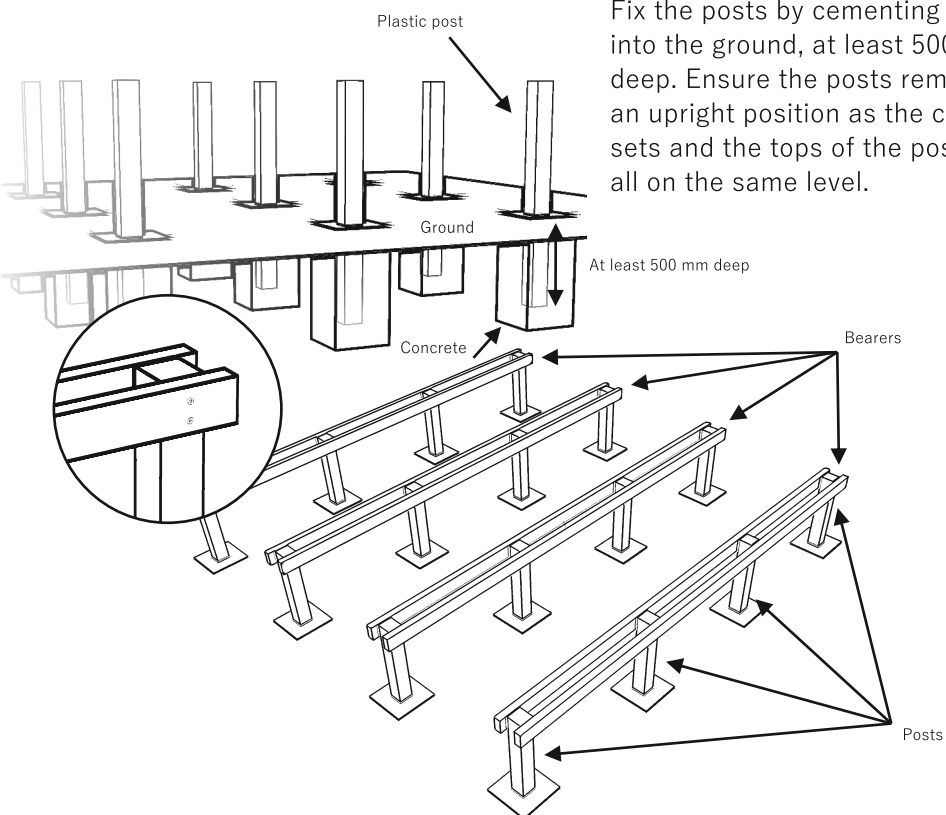


1. Fix your Posts in the ground

Once your area is cleared and prepared, mark a grid layout. You can use our 80x80 mm square posts (for a lower deck) or 100x100 mm square posts (for a deck above 60 cm of height), cut to the necessary length. The maximum support span of the plastic joists is 1000 mm.



Fix the posts by cementing them into the ground, at least 500 mm deep. Ensure the posts remain in an upright position as the concrete sets and the tops of the posts are all on the same level.

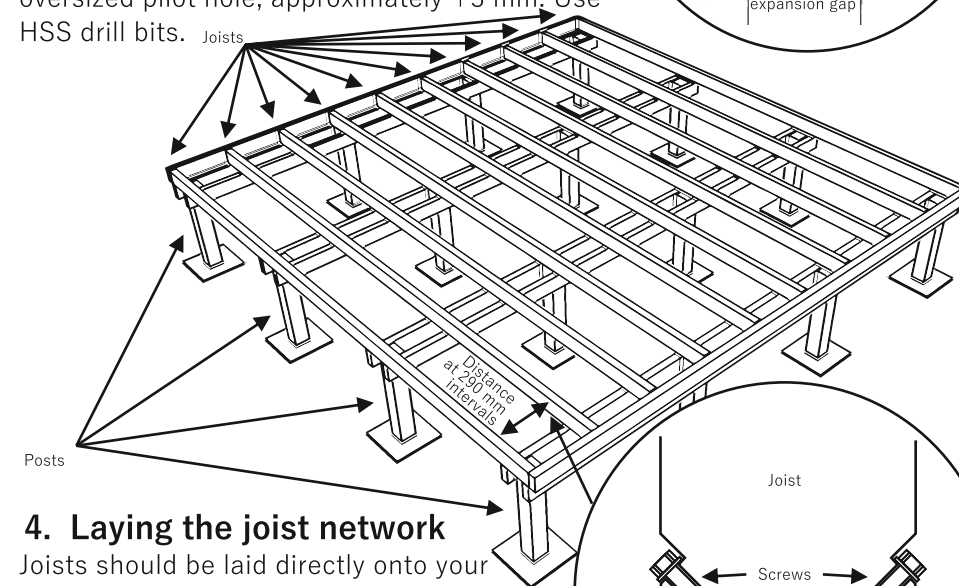
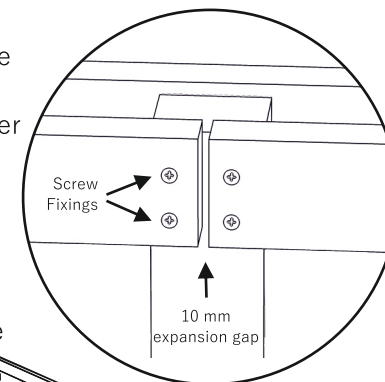


2. Fix the first plastic joists to create a subframe support

Fix the bearers along the length of the posts, providing structural support for your joists. Place the bearers to the top of the posts.

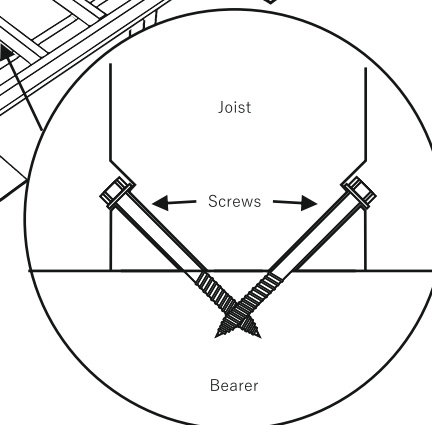
3. Securing the Bearers

The bearers must be supported by a post. Make sure that you have an expansion gap of 10 mm between the bearers. Use 6x100 mm (for smaller posts) or max. 10x100 mm (for larger posts) External Timber Frame Construction & Landscaping Screws. Make sure that they are not self-cutter screws. Fix the frame to every post securely. Pre-drill the joists with an oversized pilot hole, approximately +3 mm. Use HSS drill bits.



4. Laying the joist network

Joists should be laid directly onto your bearers in accordance with the recommended spacing of 250–350 mm. Begin by installing the outside joists to the subframe and continue fixing along the decking bearer network.



5. Fixing the joists

Fix the joist into the bearers. Use a 6x100 mm single thread External Timber screw to ensure proper fixing and pre-drill the material with an oversized pilot hole, approximately +3 mm larger than the screw. Use HSS Drill bits. As an additional support, you can fix noggins between the joists. When joining the end of two joists, ensure an expansion gap of 10 mm is left. Where two boards are expected to meet, ensure sufficient support is provided in the form of a double joist.

Always make sure that you do not leave plastic sawdust behind, remember, this material will be there for a long time.