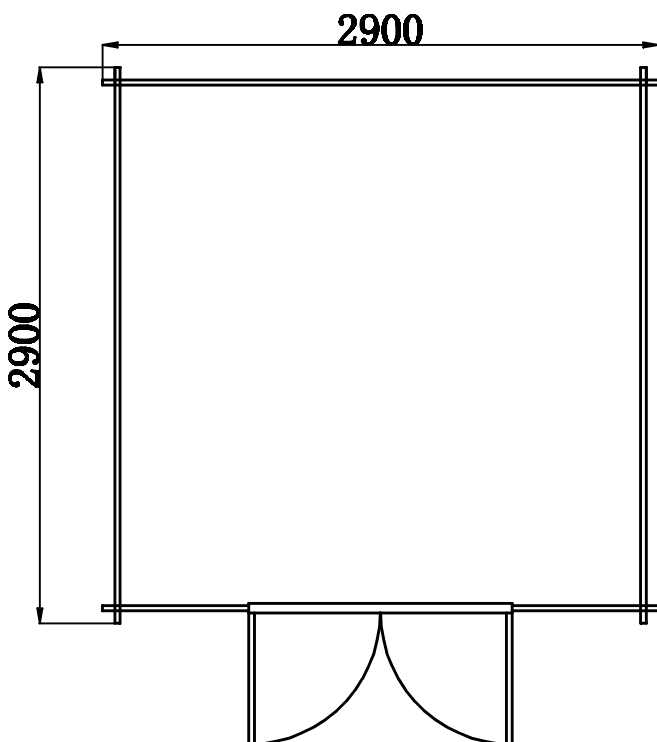
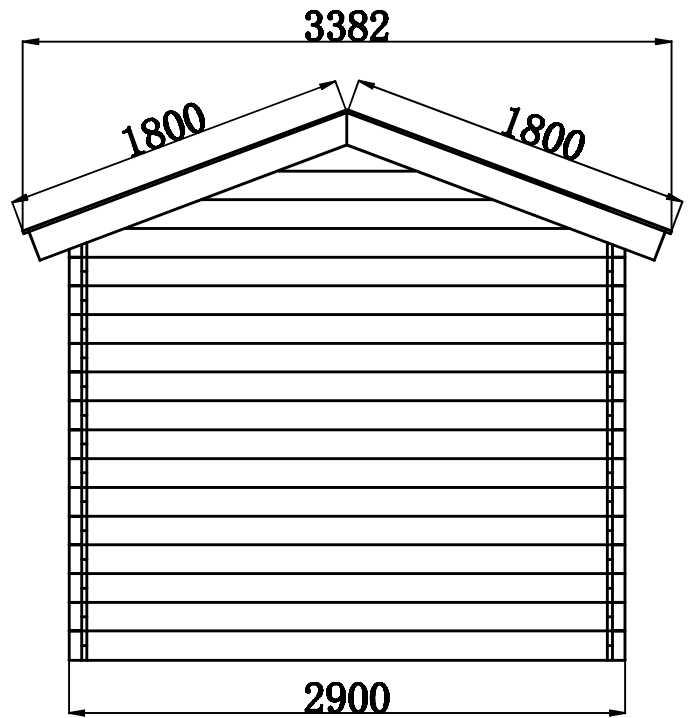
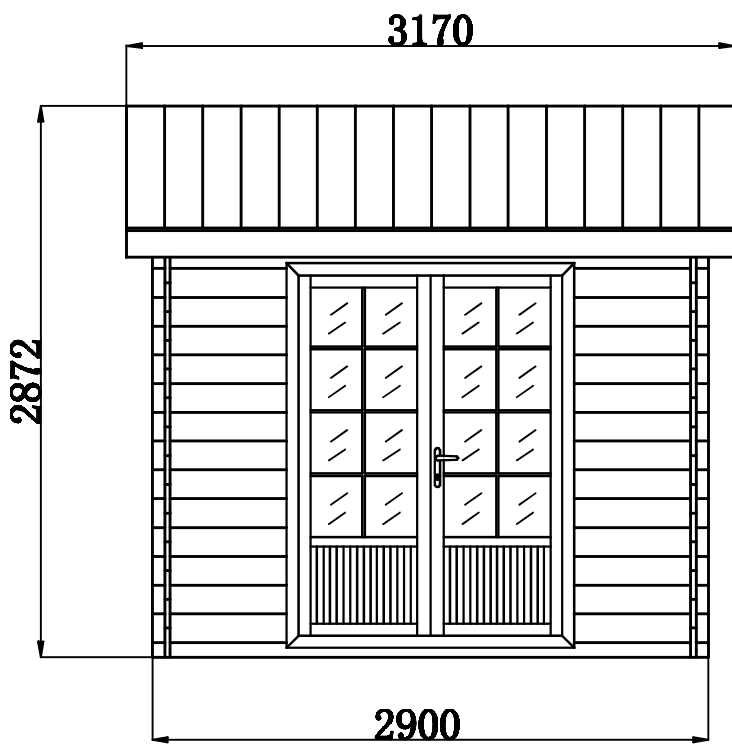
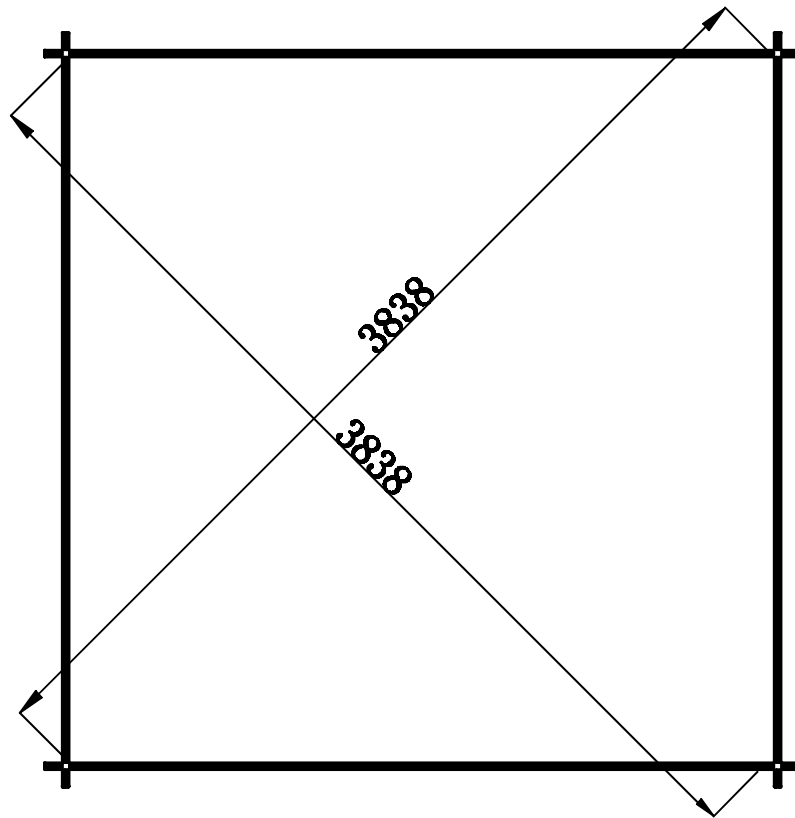
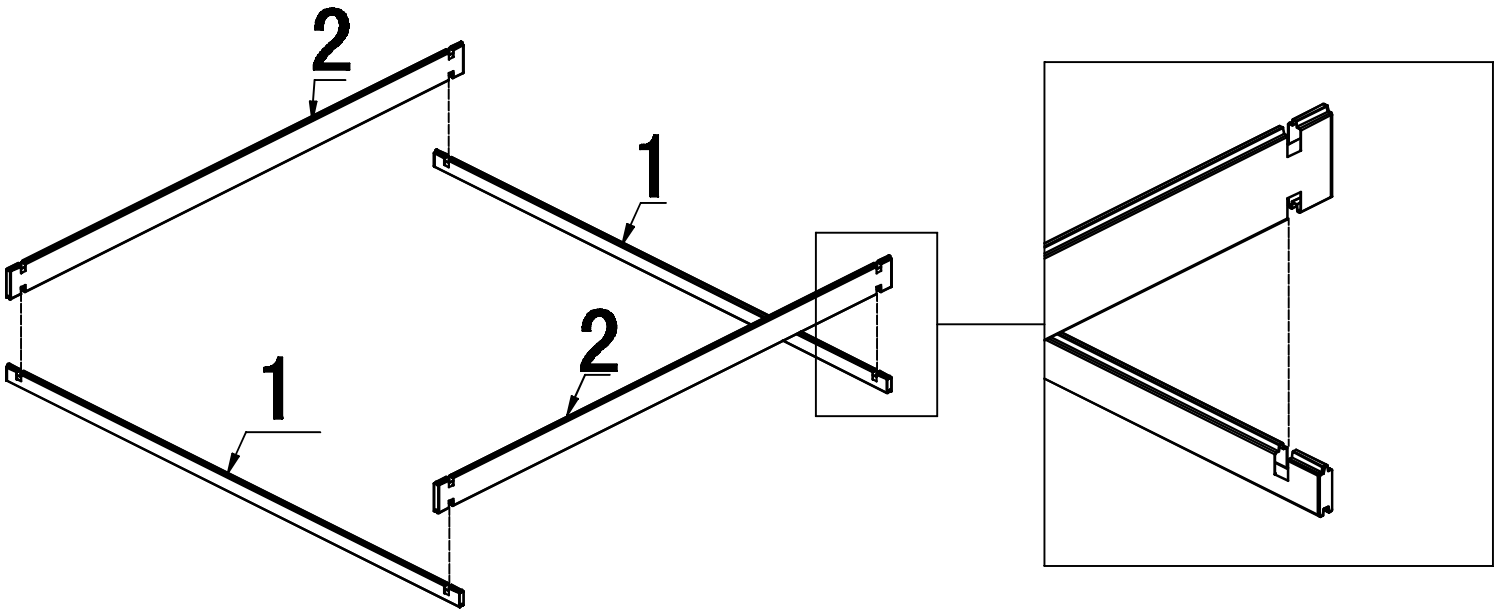
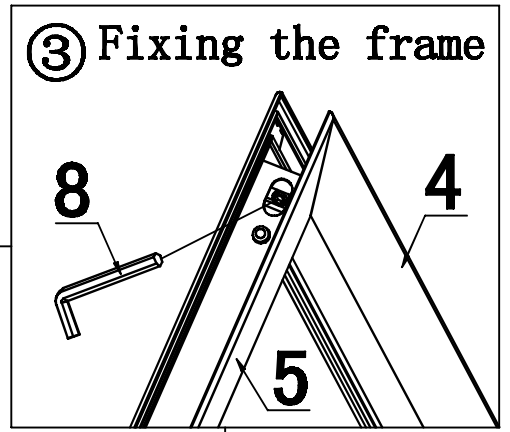
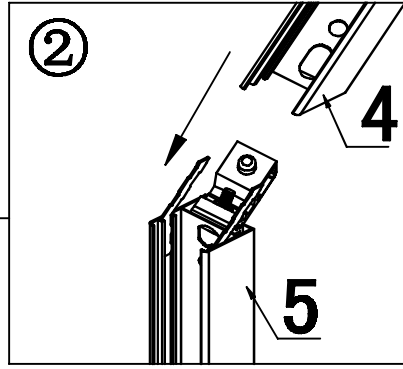
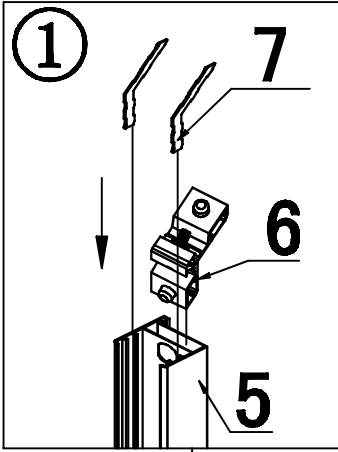


# Installation instructions

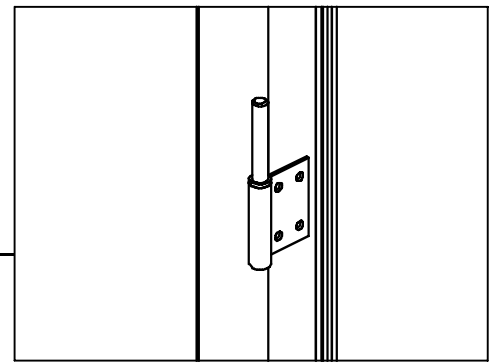




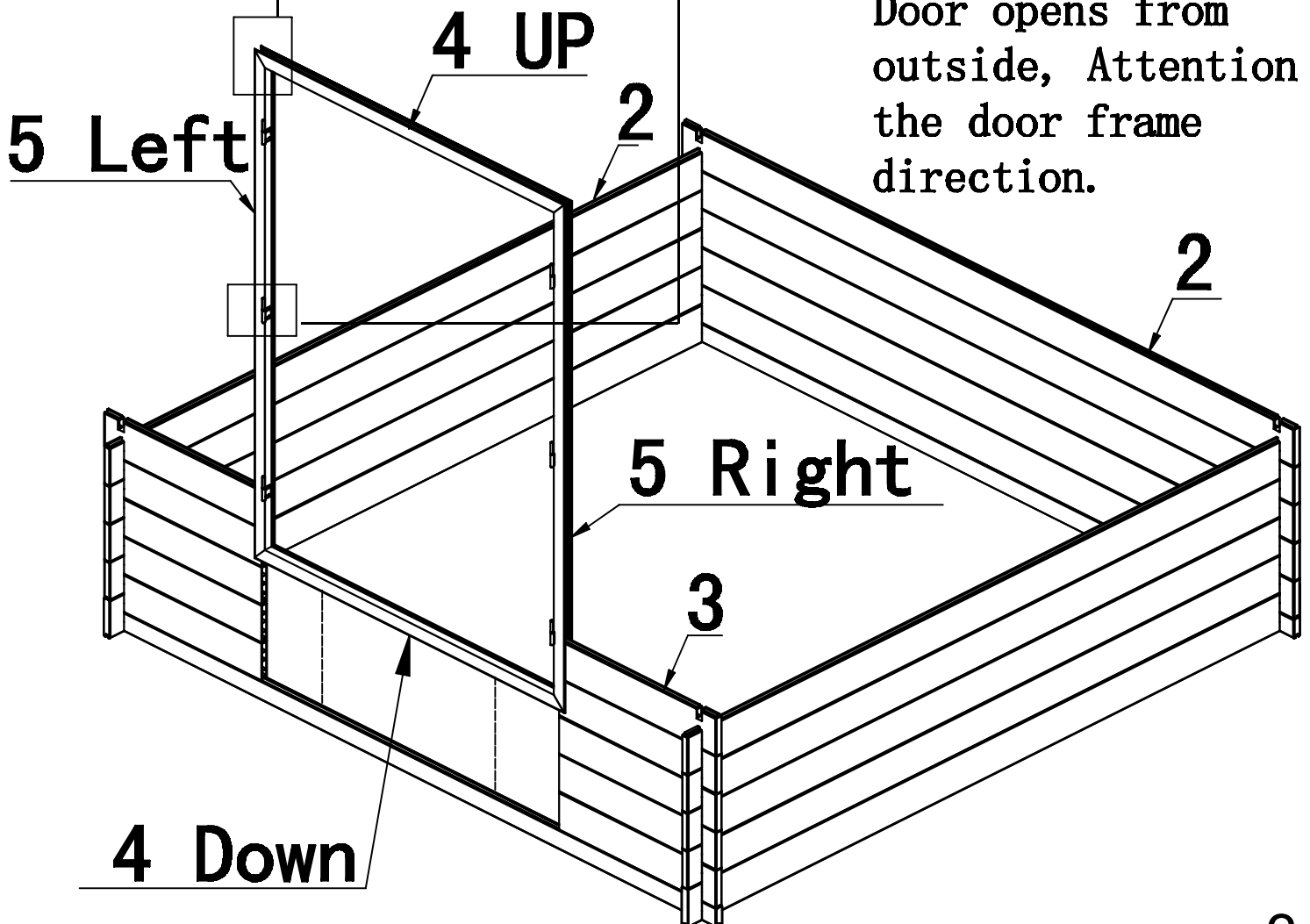
After Step 1, Make sure opposite angles be same

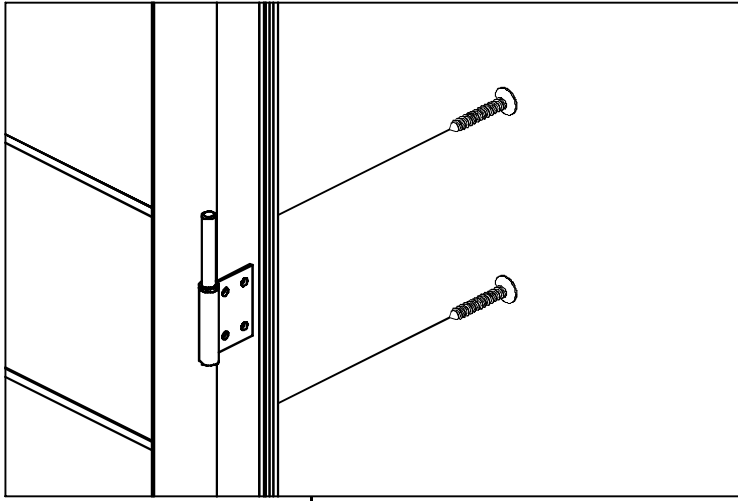


Door ALU.railing fixing by hinge.

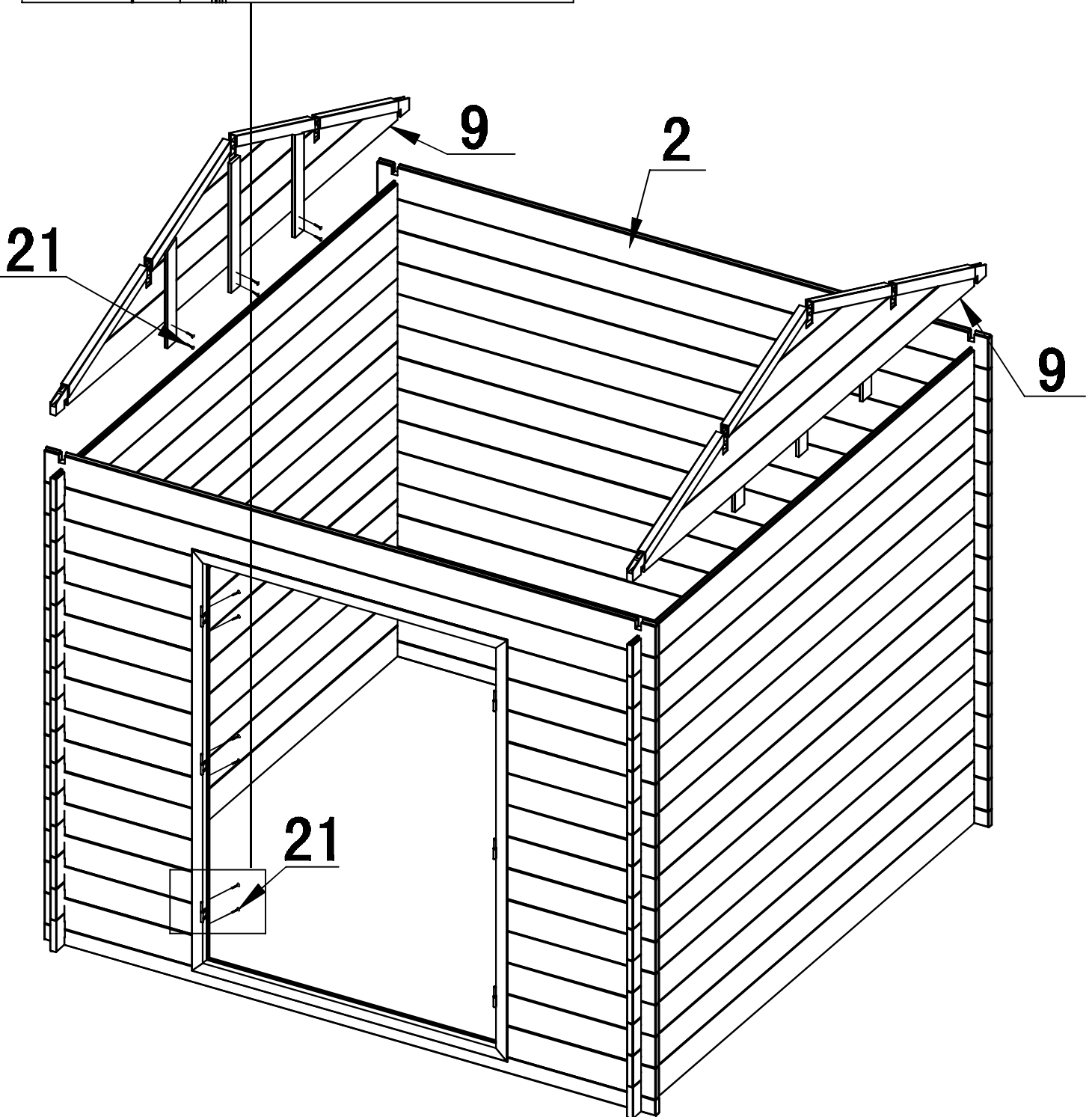


Door opens from outside, Attention the door frame direction.



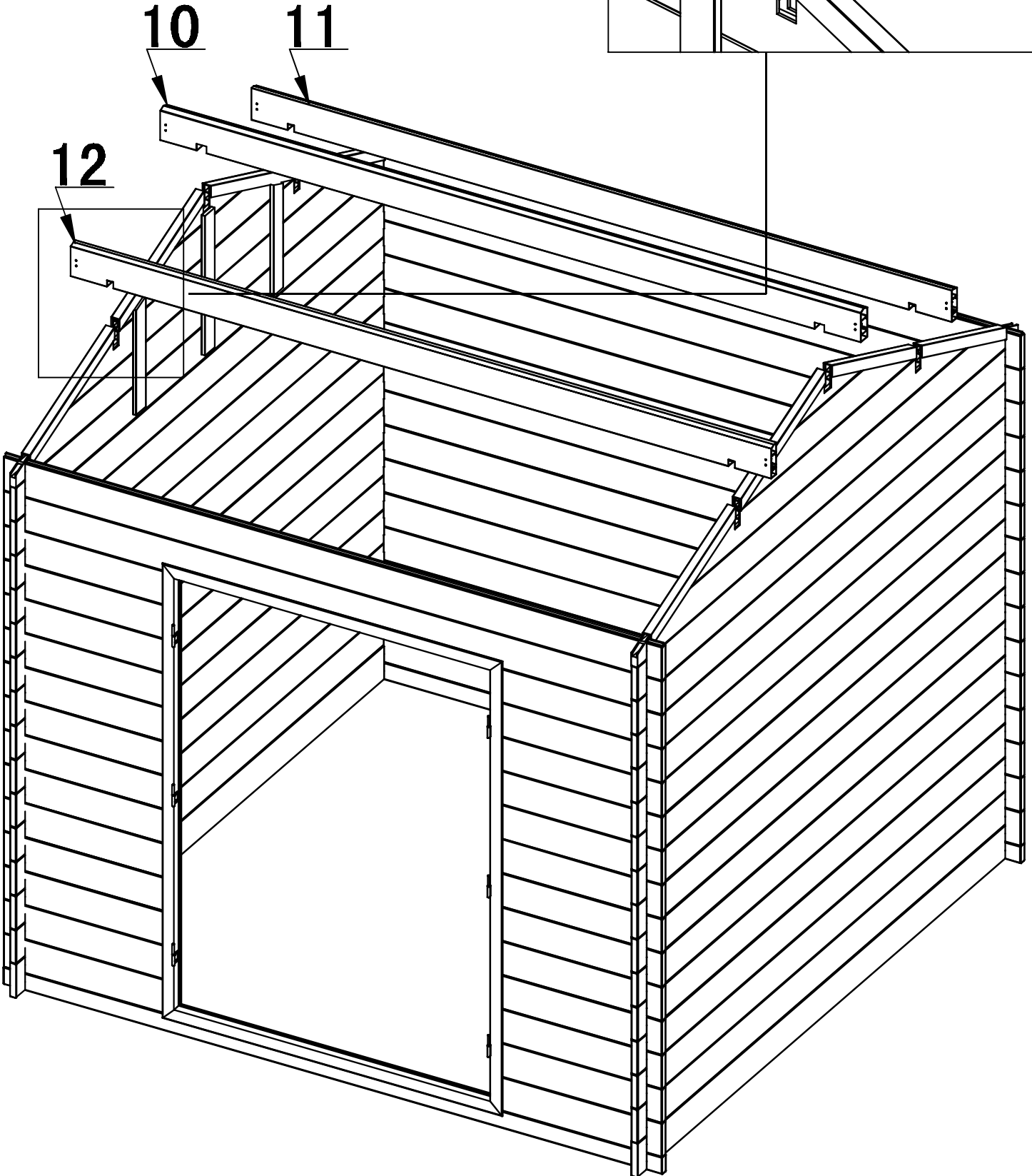
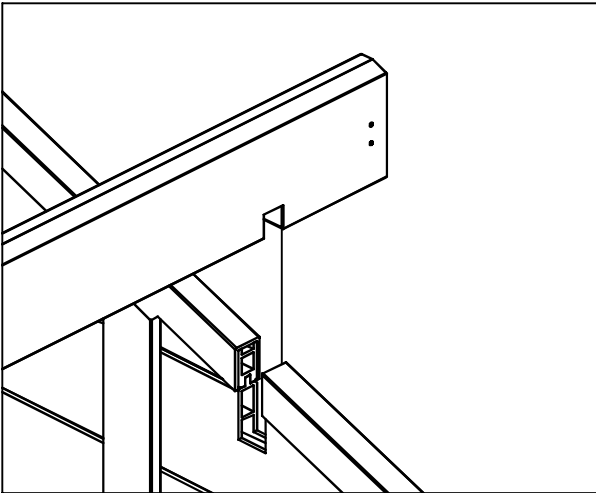


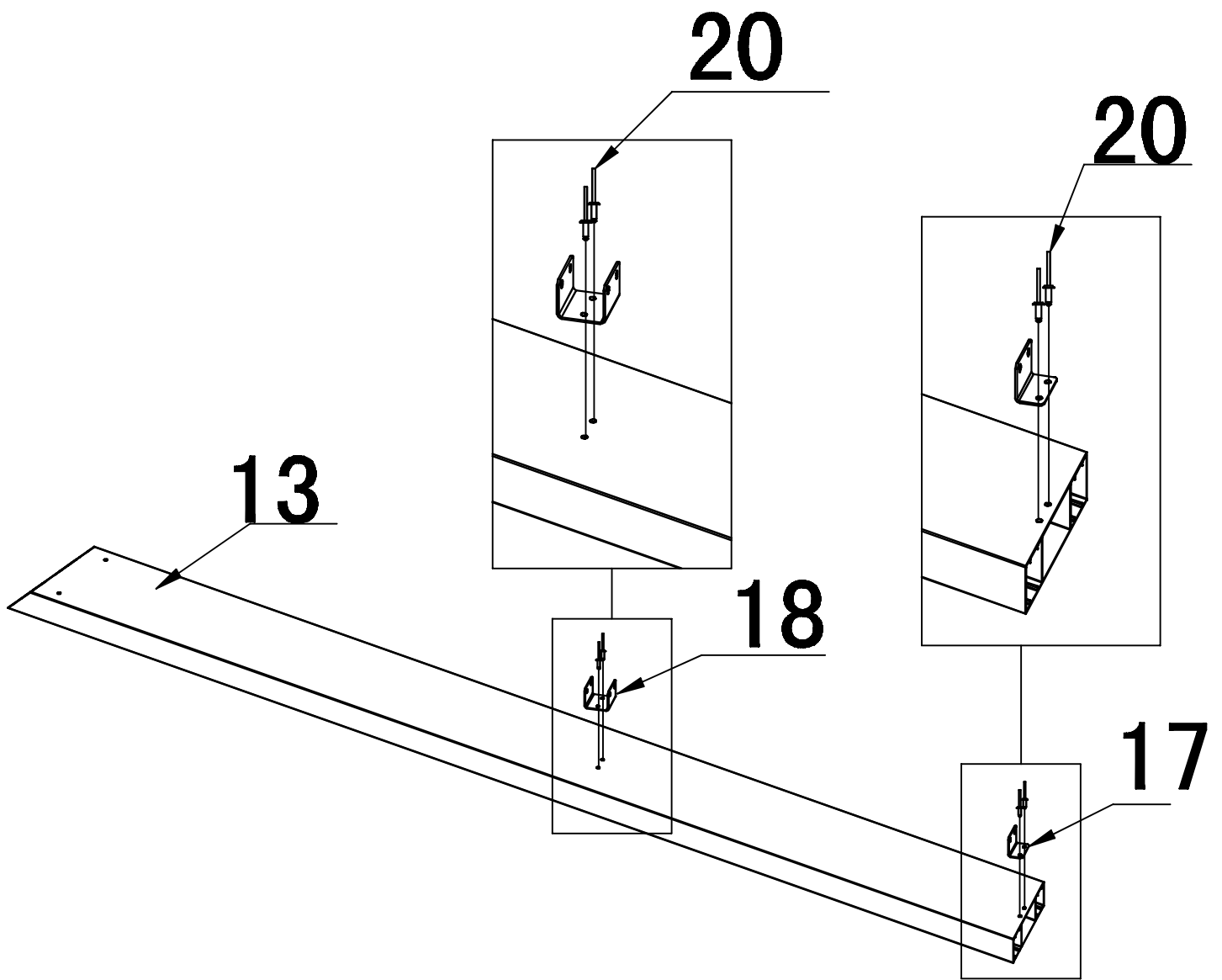
Before Fixing  
the door frame,  
the opposite  
angles must  
be same.



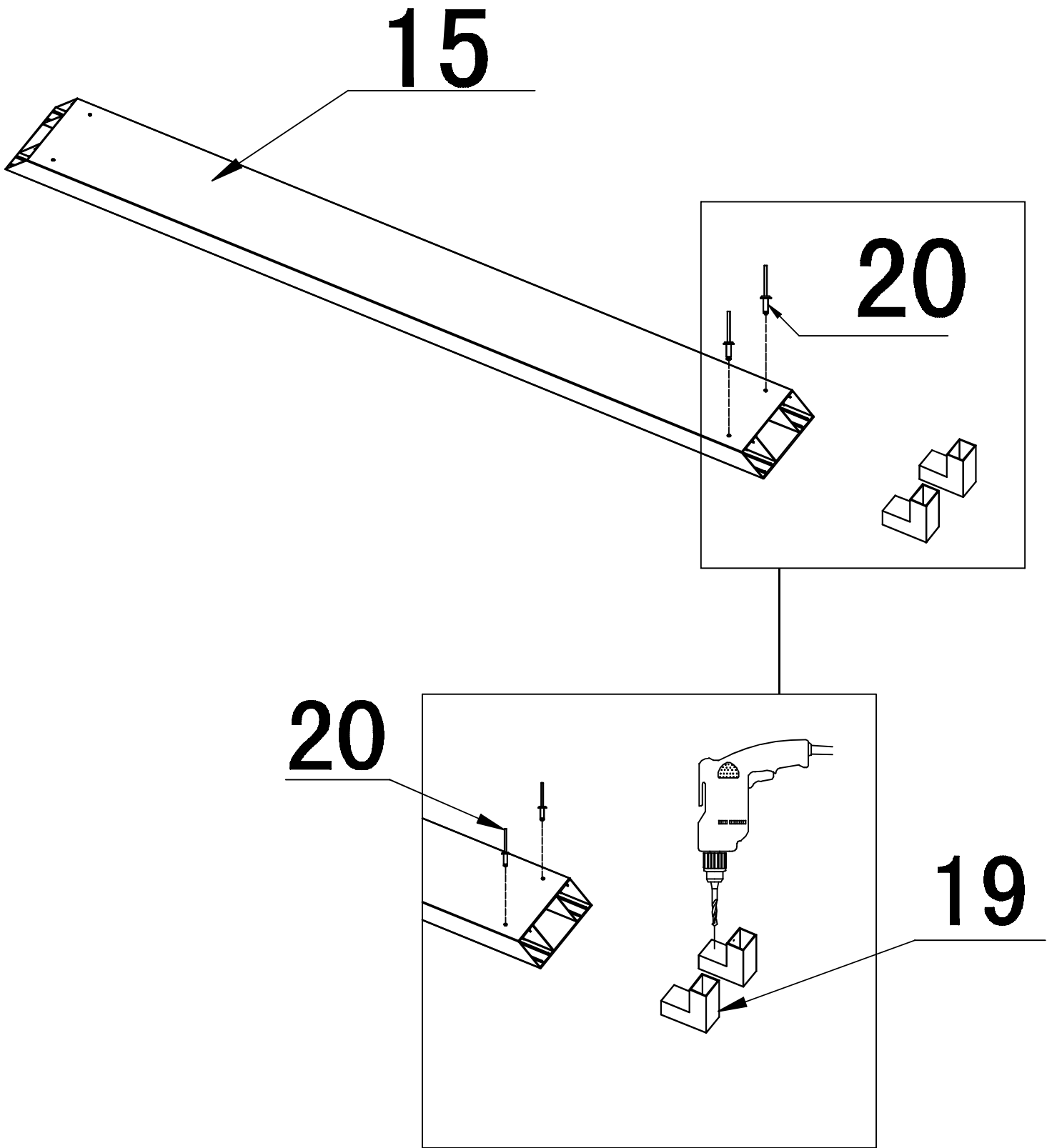


Must tell the  
difference between  
left and right beam

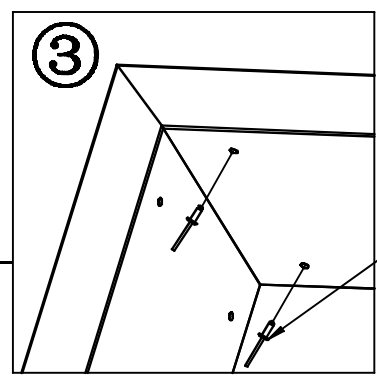
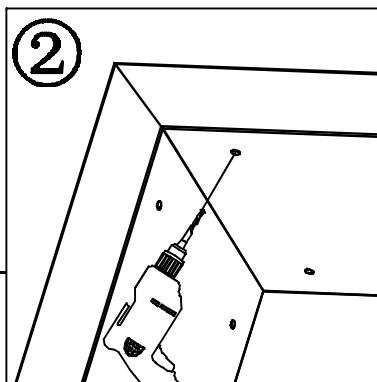
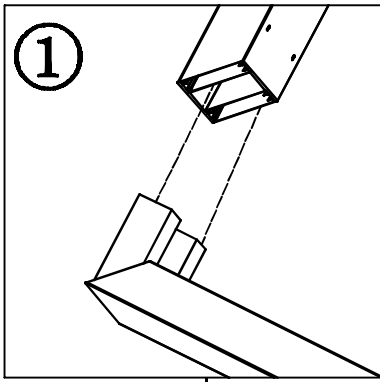




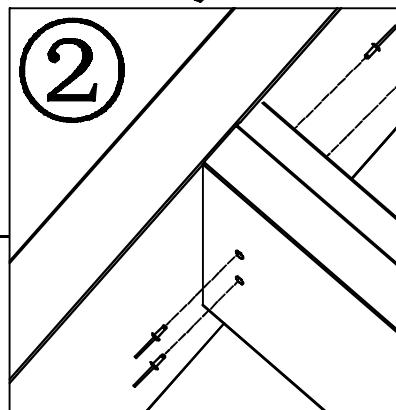
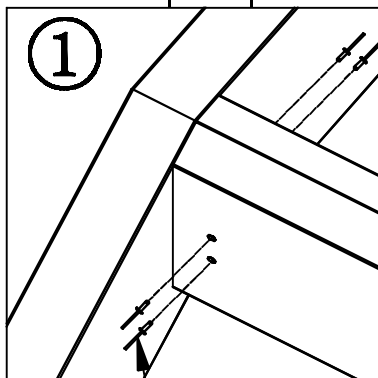
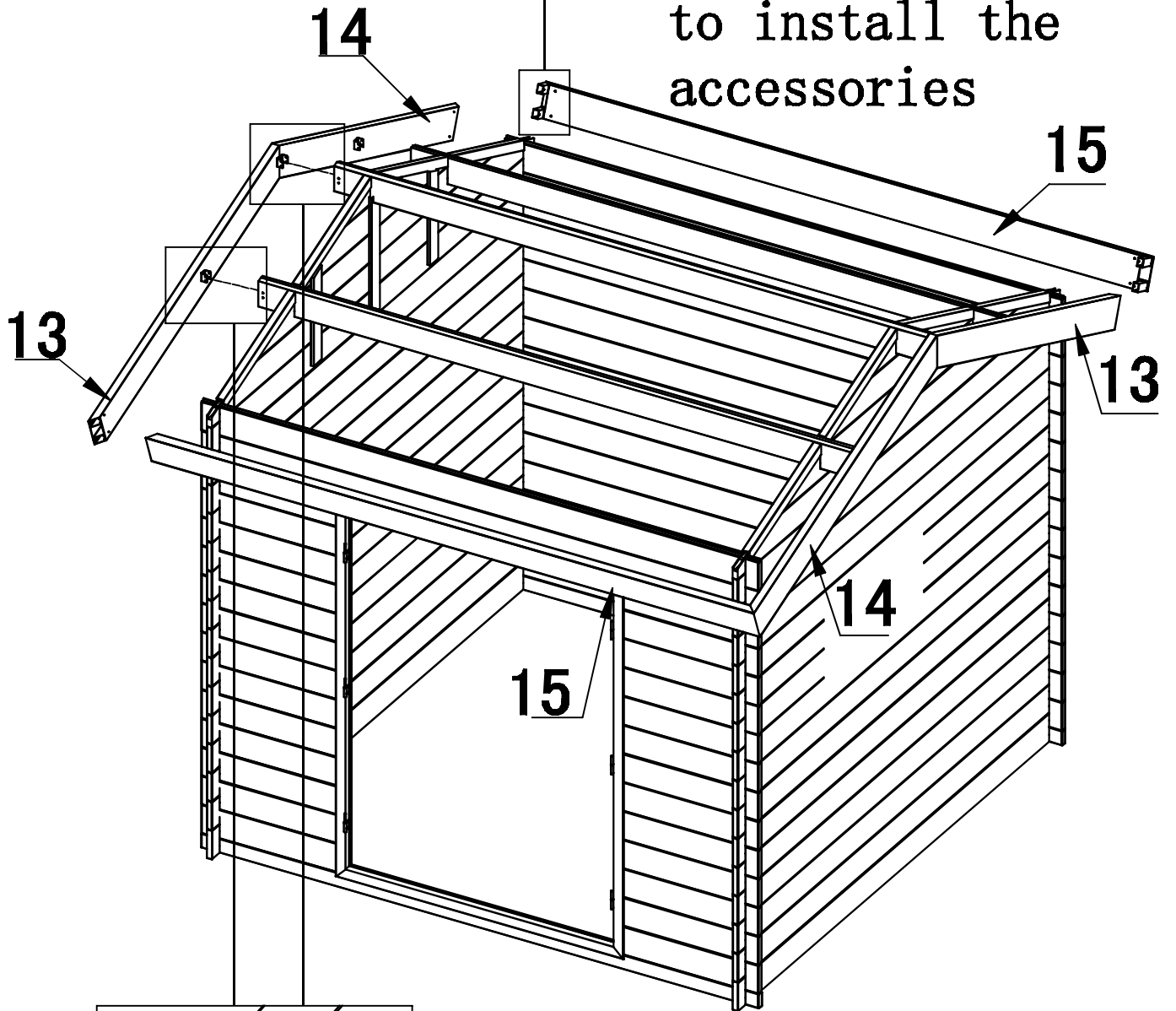
using the rivet  
gun to install  
the accessories



Please do put the cornice  
in then use the electric  
hand drill to drill the holes

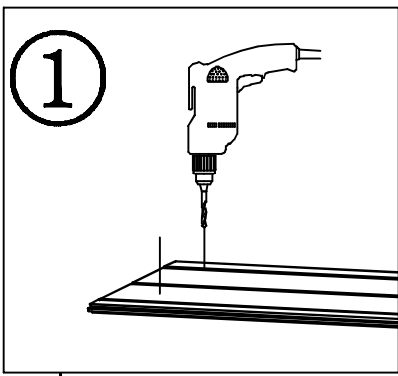


using the rivet gun  
to install the  
accessories

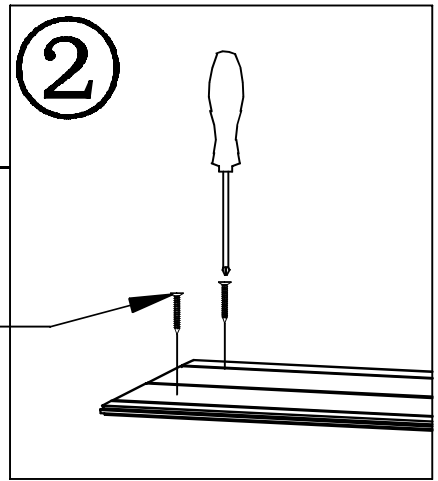


20

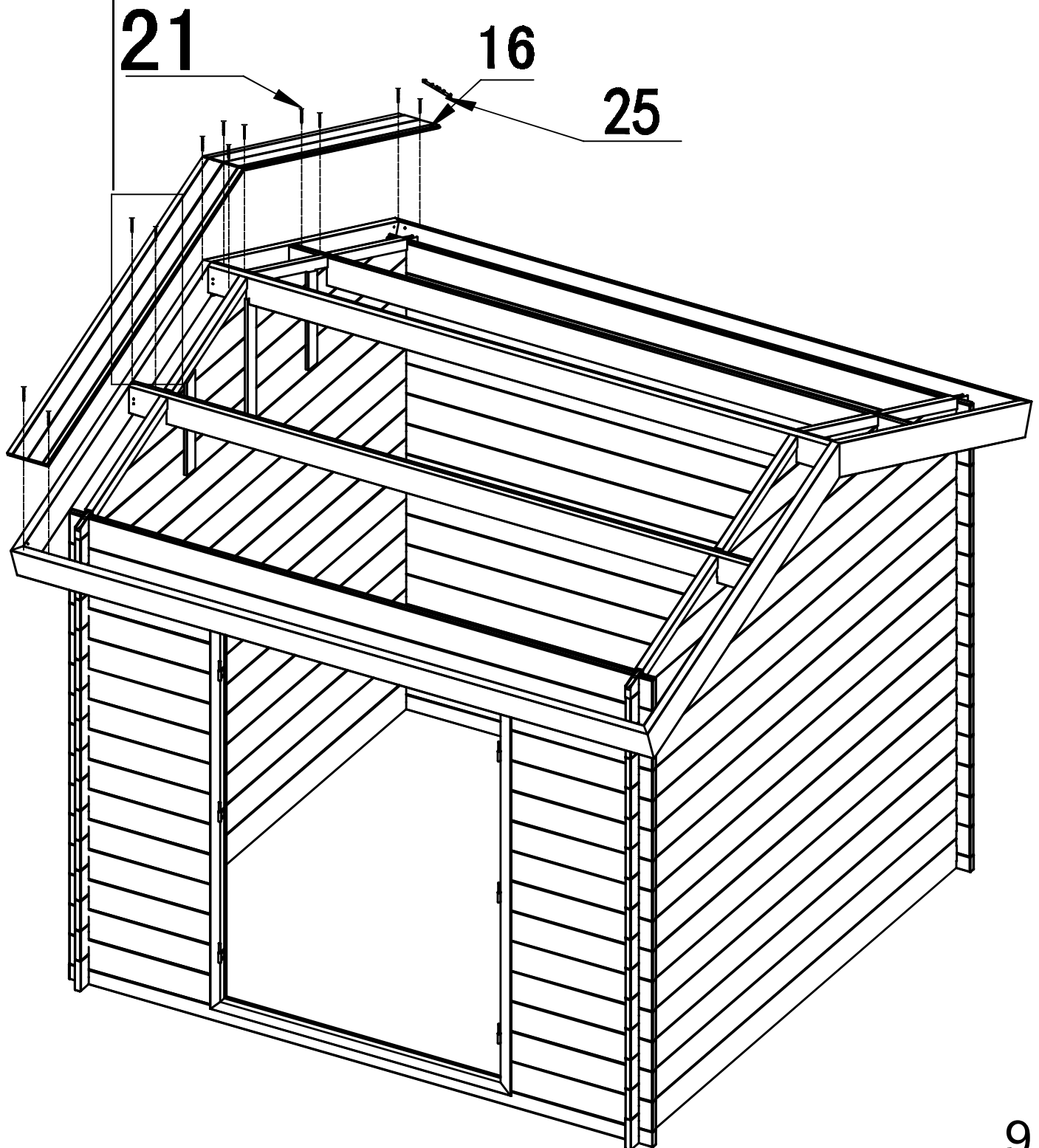
20



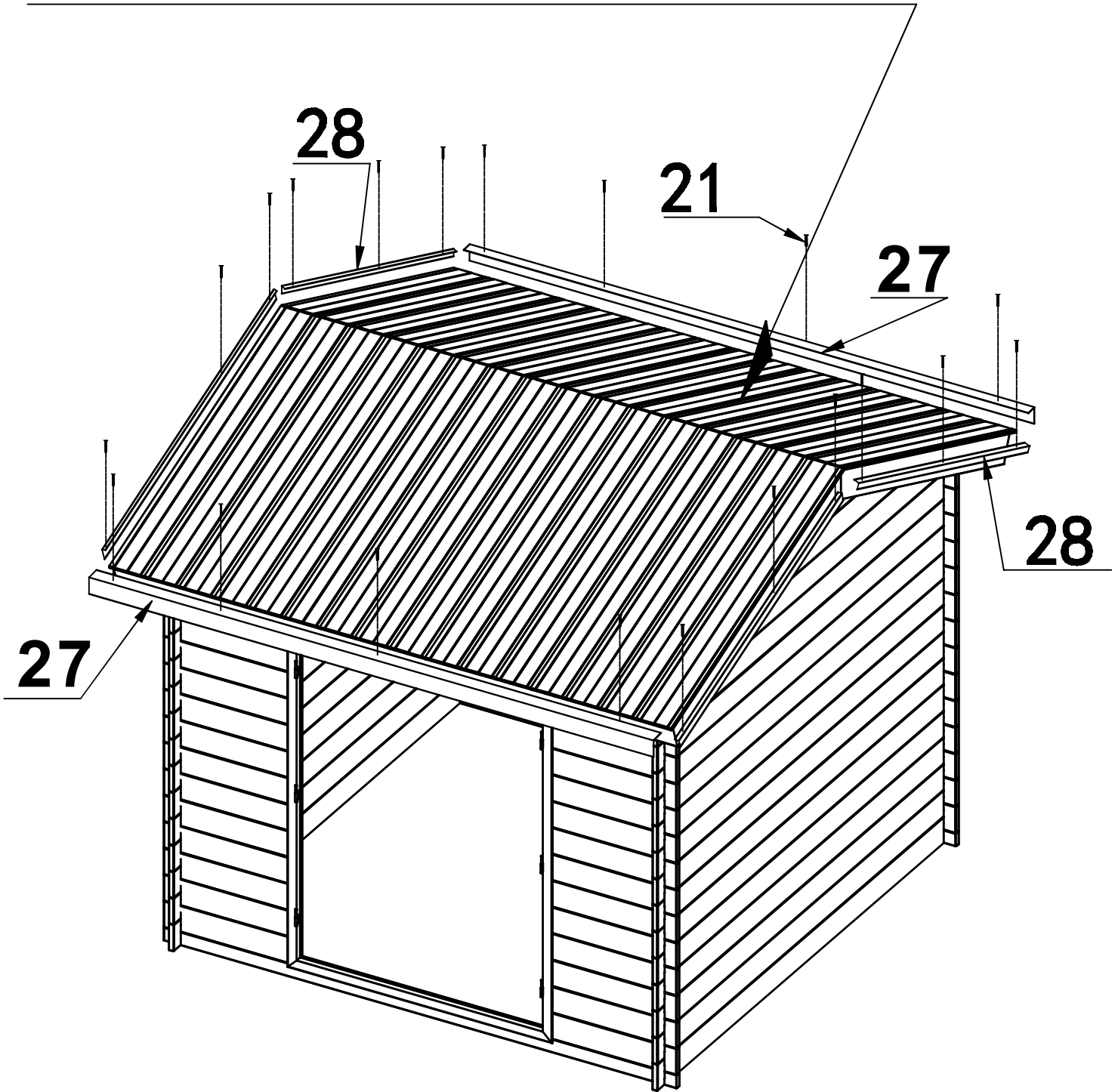
Pls predrill before  
screwing

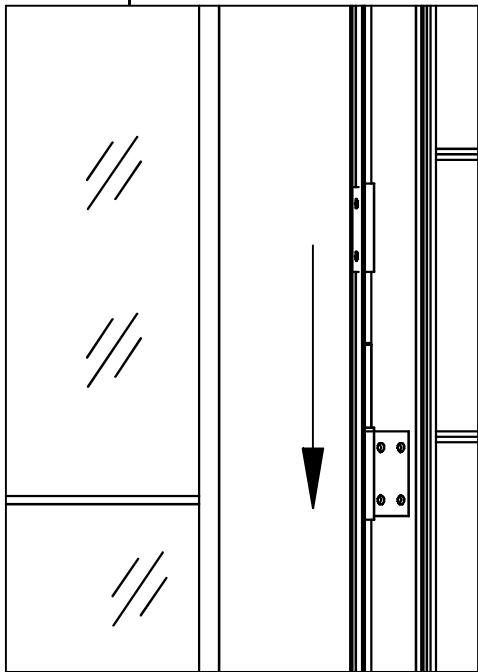


Fixing screws

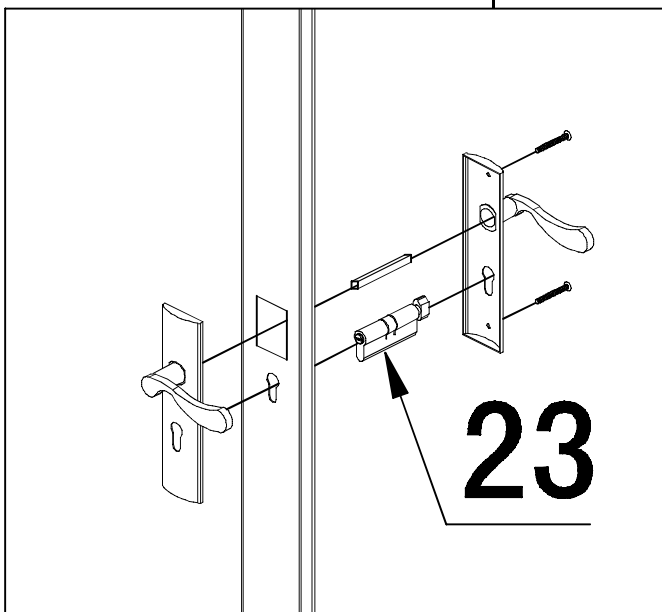
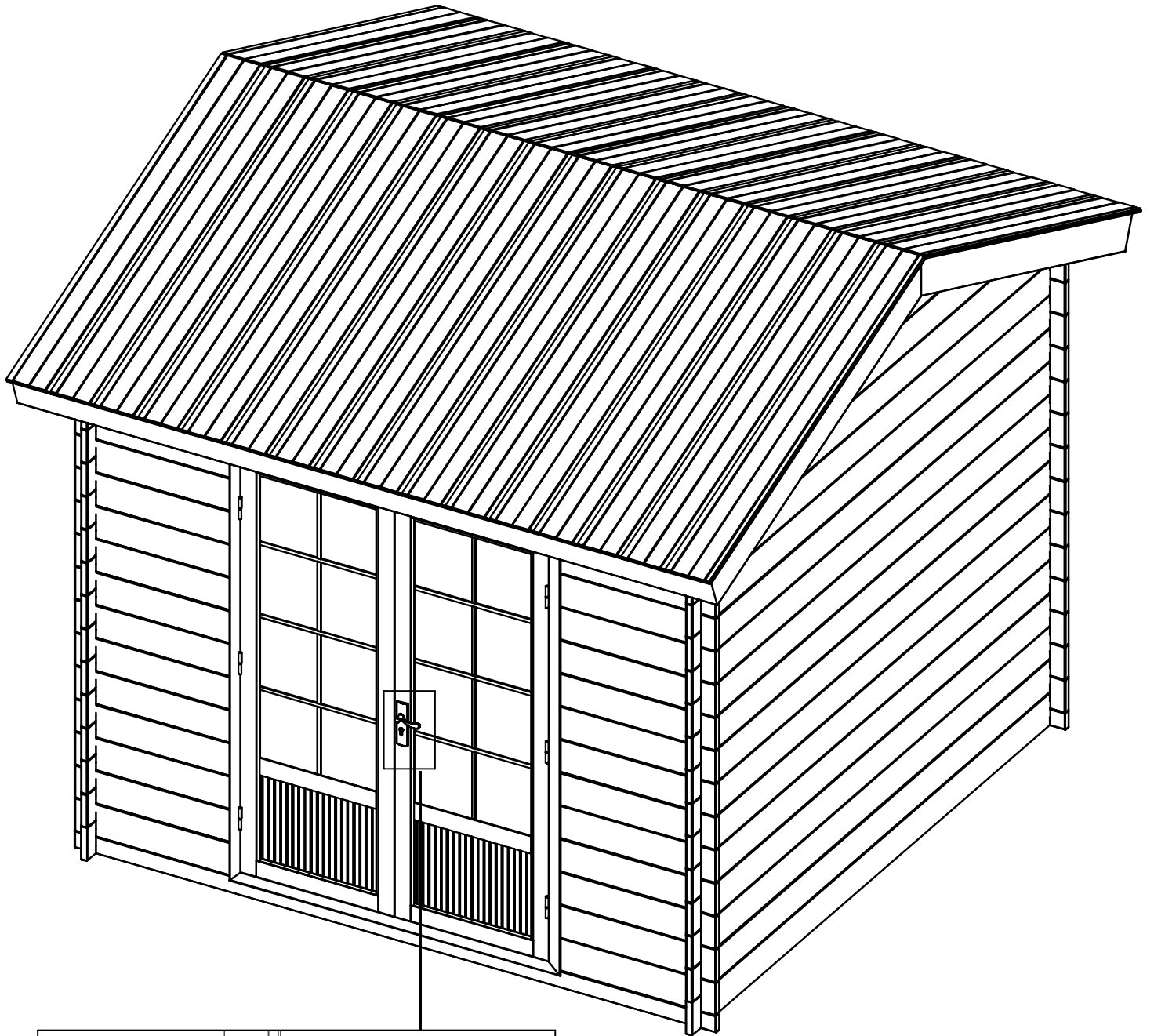


After installed the roof panel,  
need to cover the waterproof material.  
eg. shingle roof



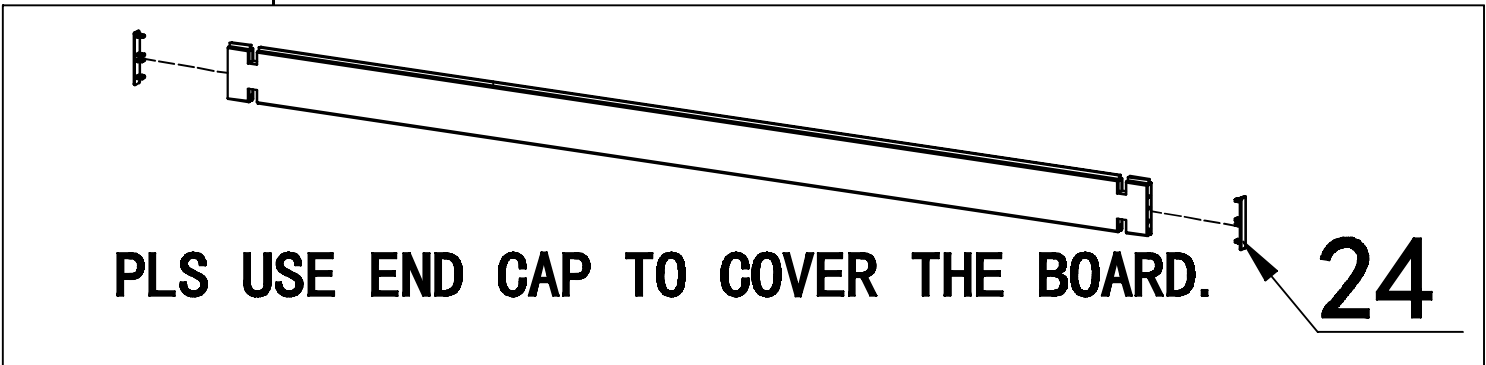
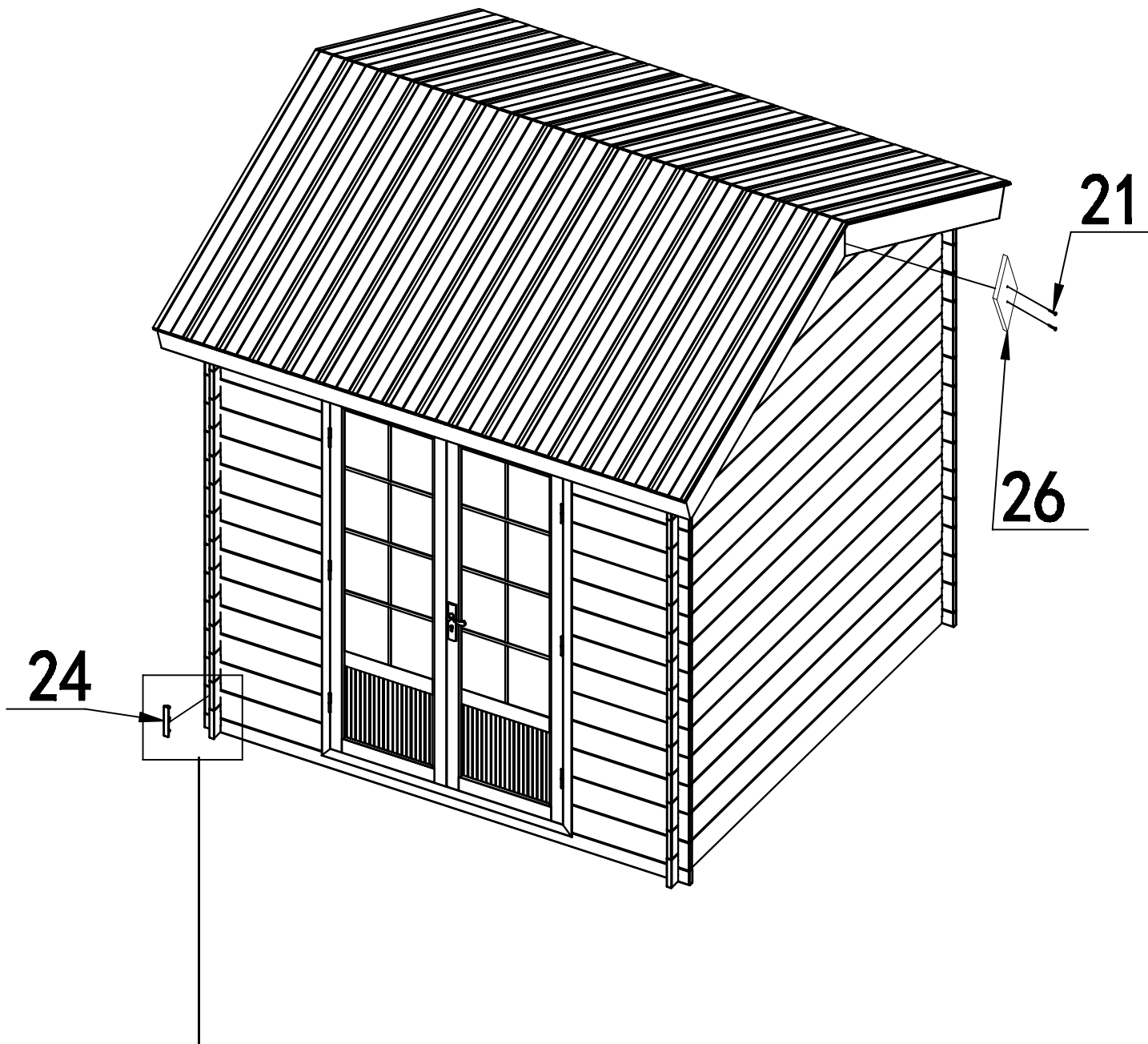


Door opens from outside, Attention the door frame direction.

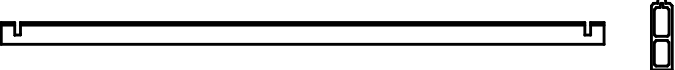
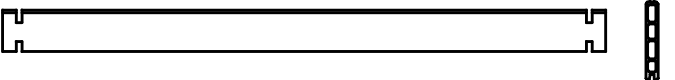
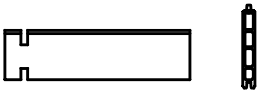
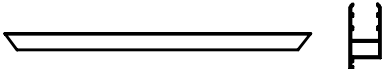
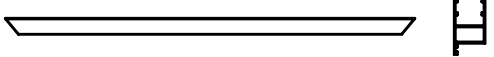



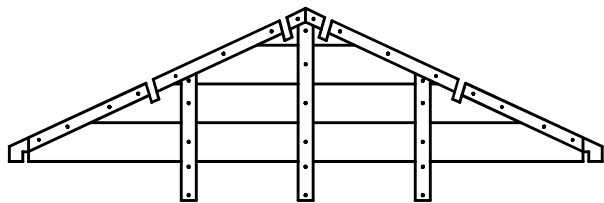

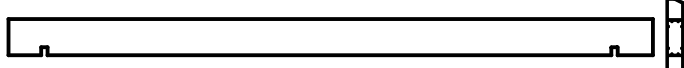
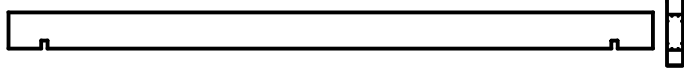
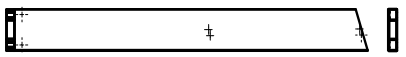
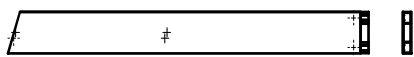


**door handle  
installation**

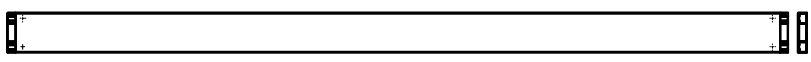
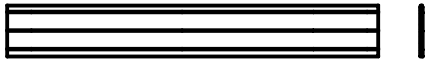
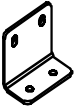

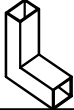
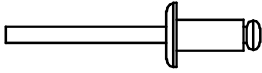

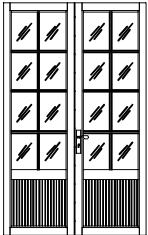


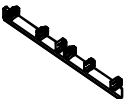

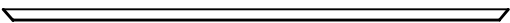





# Spare Parts

NU	STRUCTURE	DESCRIPTION	QTY
1		plank wall 85*28*2900mm	2
2		plank wall 160*28*2900mm	48
3		plank wall 160*28*730mm	26
4		Door UP/down rail	2
5		Door left/right rail	2
6		Door connector	4
7		Door frame mounting	8
8		Allen wrench	1
9		pediment	2
10		Alu beam 140*40*3090mm	1
11		right Alu beam 140*40*3090mm	1
12		left Alu beam 140*40*3090mm	1
13		left short cornice board 160*40*1770mm	2
14		right short cornice board 160*40*1770mm	2

# Spare Parts

NU	STRUCTURE	DESCRIPTION	QTY
15		alu long roof panel cover 160*40*3170mm	2
16		roof 206*15*1770mm	33
17		ridge connector 40*21	4
18		connector 40*35mm	4
19		connector 80*80mm	8
20		connector Ø4 L=10mm	60
21		screws 4*30	270
22		door	1
23		door handle	1
24		End Cap	150
25		Tile head	35
26		Extra parts	2
27		Aluminium alloy package 45*35*3173mm	2
28		Aluminium alloy package 45*35*1776mm	4